

KIT CONSISTS OF:

- TR102, Pipe sealing tool
- Hand pump, with swivel coupling
- 2 m hose, with quick couplings
- 1 set extra clamping bars
- Couplings for convenience
- Carrying case

FEATURES OF THE TR102

- Quick and easy to use
- 54 mm stroke
- 11 ton capacity
- Spring return
- Equipped with a male quick coupling as standard
- Works in any position, horizontal or vertical



Hydraulic pipe sealing kit **EHR104A - TR102**

With the pipe sealing tool TR102 all leaking pipes can be shut off in a few seconds.

■ Information

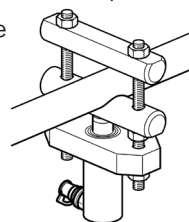


Place the TR102 in position, apply pressure by pumping the hydraulic pump until the pipe is sealed. The tool can work in any position, horizontal or vertical which makes the TR102 quick and easy to use. With 1 set extra clamping bars the tool can seal several positions.

■ Functionality



The TR102 can easily be locked in position and left on the damaged pipe for as long as necessary. All that is required to seal further leaks are additional sets of clamping bars.



■ Usability



Fields of use where the TR102 is applicable may include:

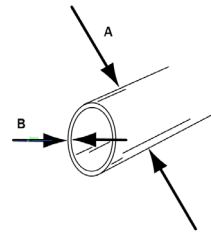
- Rescue services
- Civil defence
- Emergency aid operations
- Marine and off-shore

TR102 - PERFORMANCE

Capacity		Max working pressure		Stroke		Stroke volume	
kN	ton	MPa	psi	mm	inch	cm ³	in ³
111	11	80	11603	54	2.1	86	5.3

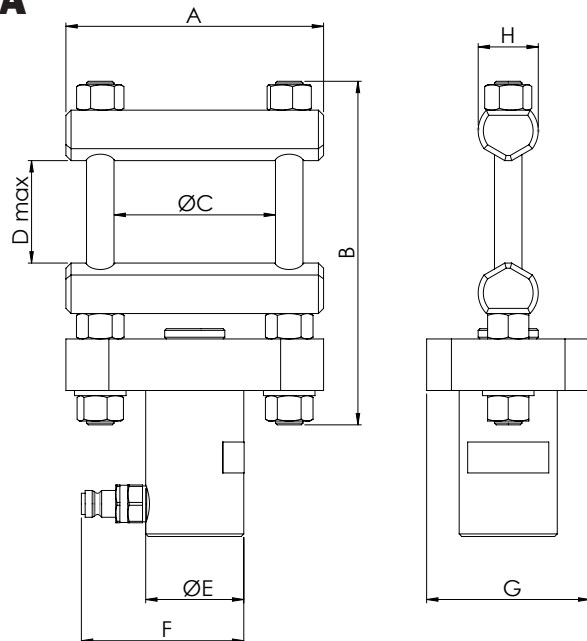
Sealing capacity	mm	inch
A - Pipe diameter	52	2
B - Pipe thickness	3	0.1

Max pipe dimensions with material of quality (Rm 320-520 N/mm², 46400-75400 lbs/in²)



TR102 - MEASUREMENTS & DATA

Dimension	mm	inch
A	150	5.9
B	200	7.9
C	94	3.7
D	59	2.3
E	57	2.2
F	95	2.3
G	95	2.3
H	35	1.4



Weight	kg	lbs
TR102 - Pipe sealing tool	6,9	15.2
TR102-2 - 1 set extra clamping bars	2,5	5.5
EHR104A - complete tool kit	18,3	40.3

PUMP

Hand pump - PHS70-300W



Working pressure: 70 MPa, 700 bar, 10150 psi

Effective oil volume: 300 cm³, 18.3 in³

Capacity high pressure: 1 cm³/stroke, 0.1 in³/stroke

Capacity low pressure: 20 cm³/stroke, 1.2 in³/stroke

Pump force: 350 N

Weight: 4,8 kg, 10.6 lbs

In EHR104A, equipped with swivel ASE10 and female quick coupling AQI8-LD



ORDERING INFORMATION

Designation	EHR104A - complete tool kit					
Part number	51151					
Designation	TR102 - Pipe sealing tool	PHS70-300W - Hand pump	1 set extra clamping bars TR102-2	Swivel coupling ASE10	Quick coupling, female AQI8-LD	Quick coupling, male AQI8-D
Part number	40911	44880	40913	37588	45950	45953