

SPECIFICATIONS

- 70 MPa / 700 Bar
- Usable oil capacity, 2.5-5 l
- Adjustable pressure 0-70 MPa
- Can start at max. pressure
- Pendant control IP65
- Ø63mm Cl. 2.5 gauge included
- Noise level <80 dB
- Built in safety valve
- Oil fill cap with vented plug
- Aluminium oil container
- 0,25kW or 0,55kW. 230VAC/50Hz
- Carrying handle or cage

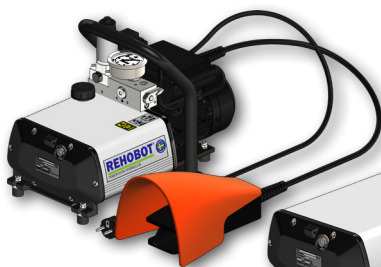
POWER WITH HYDRAULICS



PME055/70-5000MLD



PME055/70-2500S2H



PME025/70-5000S1D/FP



PME025/70-5000S1D



PME025/70-2500S1H



PME025/70-2500MRV

Information



Low height horizontal design.
Robust and durable with aluminium oil container.
Low maintenance induction motor - no need to change carbon brush.
Low noise level - under 80 dB.
Oil fill cap with built in air vent to prevent over and under pressure in oil container.

Functionality



High start torque motors that enable pumps to start under full load.
Hold to run IP65 pendant control. Motor only run when pump button being pushed. Releasing the pump button stops the motor but maintains pressure (except the S1D models).
Pressure regulating between 0-70MPa.

Usability



For intermittent use.
Industrial and workshop applications.
E.g:

- Bushing tools
- Cutters and spreaders
- Hydraulic press
- Hydraulic cylinders

PERFORMANCE & DATA

Valve	Function	Single/double acting
MRV	Manual release valve for a controlled release of pressure. One button pendant control.	Singel
S1H	Solenoid activated quick release. Two buttons pendant control. S1H pumps also have have a MRV release valve on the pump for a slow and controlled release.	Singel
S1D	Automatic dump valve. One button pendant control. (S1D/FP is foot pedal operated.) Hold button to run pump, release button to stop the pump and release pressure.	Singel
MLD	Manual 4/3 valve for double acting tools. One button pendant control to run the pump.	Double
S2H	Solenoid activated 4/3 (4/4) valve for double acting tools. Three button pendant control. Button one and two control direction, third button release pressure in both connections.	Double

Designation	Item code	Working pressure	Eff. oil vol.	Capacity (cm ³ /min)		Motor**	Gauge		Weight (kg)
		(MPa)	(cm ³)	High pressure	Low pressure		Type	Size (mm/in.)	
PME025/70-2500MRV	51810	70	2500	240	3200	230/50/0,25	AMT802	Ø62/Ø2.44	13,7
PME025-70-2500S1H	52302	70	2500	240	3200	230/50/0,25	AMT802	Ø62/Ø2.44	14,6
PME025/70-2500S1D	52510	70	2500	240	3200	230/50/0,25	AMT802	Ø62/Ø2.44	14,6
PME025/70-2500S1D/FP	52736	70	2500	240	3200	230/50/0,25	AMT802	Ø62/Ø2.44	16
PME025/70-2500MLD*	52511	70	2500	240	3200	230/50/0,25	AMT802	Ø62/Ø2.44	TBA
PME025/70-2500S2H*	52512	70	2500	240	3200	230/50/0,25	AMT802	Ø62/Ø2.44	TBA
PME025/70-5000MRV	52399	70	5000	240	3200	230/50/0,25	AMT802	Ø62/Ø2.44	17,2
PME025/70-5000S1H	52513	70	5000	240	3200	230/50/0,25	AMT802	Ø62/Ø2.44	18,1
PME025/70-5000S1D	52514	70	5000	240	3200	230/50/0,25	AMT802	Ø62/Ø2.44	18,1
PME025/70-5000MLD*	52515	70	5000	240	3200	230/50/0,25	AMT802	Ø62/Ø2.44	TBA
PME025/70-5000S2H*	52516	70	5000	240	3200	230/50/0,25	AMT802	Ø62/Ø2.44	TBA
PME055/70-2500MRV	52517	70	2500	470	4000	230/50/0,55	AMT802	Ø62/Ø2.44	16,3
PME055/70-2500S1H	52518	70	2500	470	4000	230/50/0,55	AMT802	Ø62/Ø2.44	17,2
PME055/70-2500S1D	52519	70	2500	470	4000	230/50/0,55	AMT802	Ø62/Ø2.44	17,2
PME055/70-2500S1D/FP	52737	70	2500	470	4000	230/50/0,55	AMT802	Ø62/Ø2.44	18,6
PME055/70-2500MLD*	52520	70	2500	470	4000	230/50/0,55	AMT802	Ø62/Ø2.44	TBA
PME055/70-2500S2H*	52521	70	2500	470	4000	230/50/0,55	AMT802	Ø62/Ø2.44	TBA
PME055/70-5000MRV	52522	70	5000	470	4000	230/50/0,55	AMT802	Ø62/Ø2.44	19,8
PME055/70-5000S1H	52523	70	5000	470	4000	230/50/0,55	AMT802	Ø62/Ø2.44	20,7
PME055/70-5000S1D	52524	70	5000	470	4000	230/50/0,55	AMT802	Ø62/Ø2.44	20,7
PME055/70-5000MLD*	52525	70	5000	470	4000	230/50/0,55	AMT802	Ø62/Ø2.44	TBA
PME055/70-5000S2H*	52526	70	5000	470	4000	230/50/0,55	AMT802	Ø62/Ø2.44	TBA

* Q4 2023

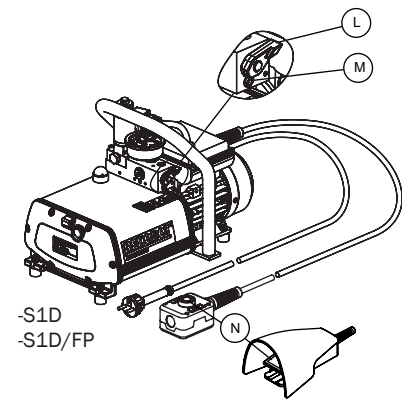
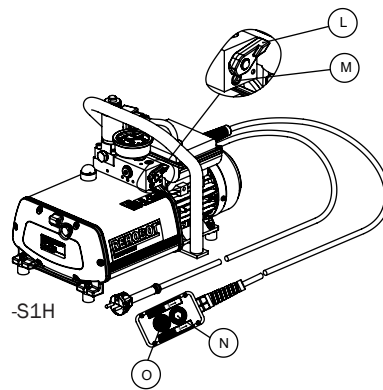
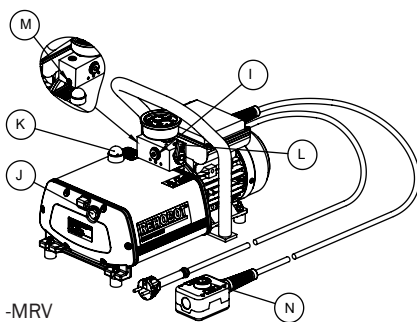
** 230VAC / 60Hz motors available as options. Contact REHOBOT for more information

Electric component	Cable Material	Length***	Additional information	Customizations, not standard.
Power Cord	H05RN-F	2 m	Plug CEE 7/7	CEE blue-16A
Pendant Control/Foot Pedal	H07RN-F	3 m	IP65	Double Foot Pedal for S1H

*** For alternative length, contact REHOBOT.

FUNCTION MRV/S1H/S1D - FOR SINGLE ACTING TOOLS

I	J	K	L	M	N	O
Pressure G1/4"	Oil level glass G1/4"	Oil refill G3/8"	Manual release valve	Pressure regulating valve 0-70 MPa	Pendant control hold to pump	Pendant control release



FUNCTION MLD/S2H - FOR DOUBLE ACTING TOOLS

I	J	K	L	M	N	O
Pressure 2x G1/4"	Oil level glass G1/4"	Oil refill G3/8"	Manual release valve	Pressure regulating valve 0-70 MPa	Pendant control hold to pump	Pendant control release

**Pumps for double acting tools to be announced in Q4 2023.
Contact REHOBOT for any further information.**

MEASUREMENTS

PME025/70-2500 MRV/S1H/S1D/MLD

Unit	A	B	C	D	E	F	G	H
mm	412	292	209	330	80	232	160	103
in	16.2	11.5	8.22	13.0	3.15	9.13	6.30	4.06

PME025/70-5000 MRV/S1H/S1D/MLD

Unit	A	B	C	D	E	F	G	H
mm	572	292	209	490	80	232	160	103
in	22.5	11.5	8.22	19.3	3.15	9.13	6.30	4.06

PME055/70-2500 MRV/S1H/S1D/MLD

Unit	A	B	C	D	E	F	G	H
mm	443	287	229	345	90	232	160	115
in	17.4	11.3	9.02	13.6	3.54	9.13	6.30	4.53

PME055/70-5000 MRV/S1H/S1D/MLD

Unit	A	B	C	D	E	F	G	H
mm	603	287	229	505	90	232	160	115
in	23.7	11.3	9.02	19.9	3.54	9.13	6.30	4.53

PME025/70-2500 S2H

Unit	A	B	C	D	E	F	G	H
mm	461	308	293	334,5	113,5	279	250	266
in	18.1	12.1	11.5	13.2	4.47	11	9.84	10.5

PME025/70-5000 S2H

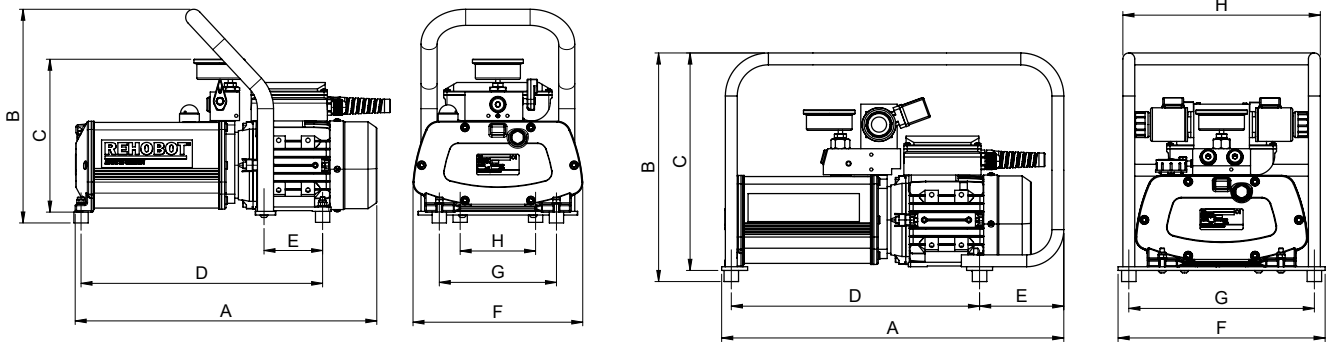
Unit	A	B	C	D	E	F	G	H
mm	621	308	293	494,5	113,5	279	250	266
in	24.5	12.1	11.5	19.5	4.47	11	9.84	10.5

PME055/70-2500 S2H

Unit	A	B	C	D	E	F	G	H
mm	461	308	293	349,5	98,5	279	250	266
in	18.1	12.1	11.5	13.8	3.88	11	9.84	10.5

PME055/70-5000 S2H

Unit	A	B	C	D	E	F	G	H
mm	621	308	293	509,5	98,5	279	250	266
in	24.5	12.1	11.5	20.1	3.88	11	9.84	10.5



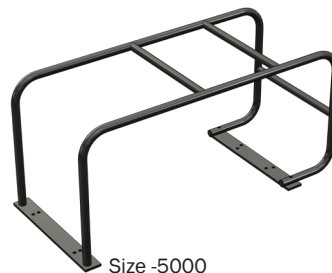
ACCESSORIES - PROTECTIVE CAGE

	Part.no	Info
Size -2500	52476	Inlcudes feets, screws, nuts and washers
Size -5000	52477	Inlcudes feets, screws, nuts and washers

NOTE! Already included in S2H pumps



Size -2500



Size -5000