

#### SPECIFICATIONS

- Combined cylinder and pump unit
- Capacity 15,5-147,5 ton
- Working pressure: 825 bar
- External thread for easy mounting
- Gauge can be attached on special part numbers
- 360° rotatable pump handle bracket with two shaft positions
- Operates in all directions thanks to the closed hydraulic system
- High capacity
- CE-marked



#### Information



Kompakt is a hydraulic powerpack that combines a number of unique features, such as lightweight, user friendly design and high capacity.

Dimensioned for safe-factor 3 against overloading and 4-fold security against breaks.

3-year material warranty and operation on piston and cylinder.

#### Functionality



Can be operated in all directions. 360° rotatable pump lever.

External thread for fixed mounting or mounting of accessories.

Closed hydraulic system, can even be used under water.

Exists as hollow jack, see datasheet: DS65786\_EN

#### Usability



For intermittent use in service applications.

- Almost all industrial processes
- Mining Facilities
- Oil & Gas
- Welding
- Shipyards
- Industrial maintenance
- Wind power
- Lift/push/pull applications

#### REHOBOT Hydraulics AB

Postal address: P.O. Box 1107  
631 80 Eskilstuna, Sweden  
T: +46 (0)16-16 82 00 | F: +46 (0)16-13 93 16  
E: info@rehobot.se | www.rehobot.se

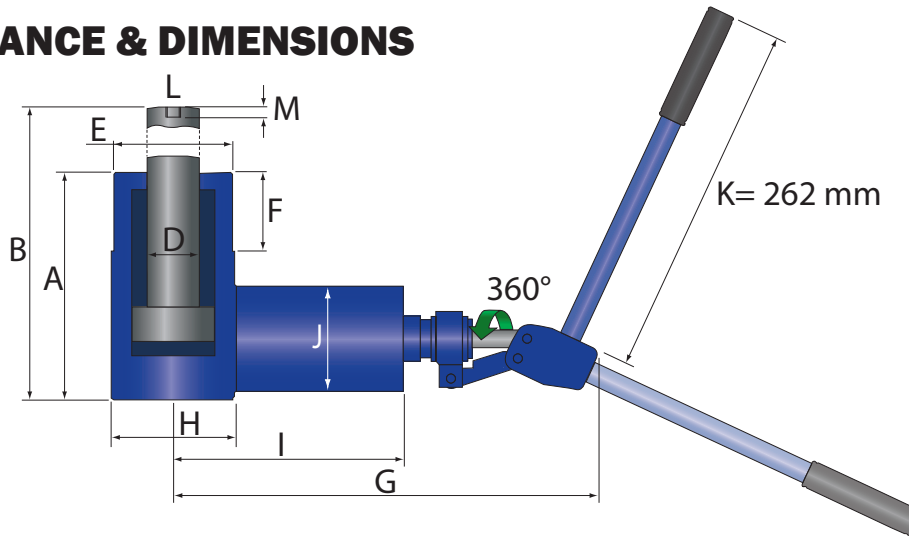
#### REHOBOT Ltd.

Unit 6, Stechford Trading Estate, Lyndon Road, Stechford  
Birmingham B33 8BU, UK  
T: +44 121 789 77 07 | F: +44 121 789 68 66  
E: info@rehobot.co.uk | www.rehobot.co.uk

#### REHOBOT Inc.

Unit #1 3980 W. Albany St.  
McHenry IL 600 50, USA  
T: +1 815 385 77 77 | F: +1 815 385 77 76  
E: info@rehobot.us | www.rehobot.us

**PERFORMANCE & DIMENSIONS**



Capacity* ton (kN)	Stroke mm	Part no.	Description	Area cm <sup>2</sup>	A mm	B mm	D mm	M mm	L mm	E mm	F mm	G mm	H mm	I mm	J mm	Weight kg
15,5 (155)	30	52874	PHCT15-30	19,63	74,0	104	40	25	M12	-	-	230	70	127	60	3,7
	50	52875	PHCT15-30 (2-steg)	19,63	74,0	104	40	25	M12	-	-	230	70	127	60	3,7
	50	52876	PHCT15-50	19,63	100,0	150	40	23	M12	M70x3	30	230	70	127	60	4,4
	50	52877	PHCT15-50 (2-steg)	19,63	100,0	150	40	23	M12	M70x3	30	230	70	127	60	4,4
	75	52878	PHCT15-75	19,63	133,5	205	30	20	M8	M70x3	45	230	70	127	60	5,0
	75	52879	PHCT15-75 (2-steg)	19,63	133,5	205	30	20	M8	M70x3	45	230	70	127	60	5,0
	75	52880	PHCT15-75**	19,63	164,5	237	30	20	M8	M70x3	45	230	70	127	60	5,8
	75	52881	PHCT15-75** (2-steg)	19,63	164,5	237	30	20	M8	M70x3	45	230	70	127	60	5,8
30 (300)	20	52882	PHCT30-20	38,48	70,0	90	40	25	M12	-	14	244	98	141	60	4,8
	30	52883	PHCT30-30	38,48	79,0	109	40	25	M12	M90x3	14	244	98	141	60	5,5
	30	52884	PHCT30-30 (2-steg)	38,48	79,0	109	40	25	M12	M90x3	14	244	98	141	60	5,5
34 (340)	75	52885	PHCT34-75	44,17	130,0	205	60	35	M16	M90x3	20	276	105	175	98	11,1
61,5 (615)	55	52886	PHCT61-55	78,54	130,0	185	80	35	M16	M120x3	20	288	135	185	98	15,2
147,5 (1475)	50	52887	PHCT147-50	188,68	134,0	184	100	35	M16	M200x4	25	305	210	202	98	41,0

\* Calculated with 95% efficiency - 82,5 MPa (825 bar)

\*\* Extended bottom with thread M56x3

Load return on all models

**INSTRUCTIONS ON MOUNTING**

For gauge add "M" after the description example: PHCT15-30M

More information about gauge on request