

SPECIFICATIONS

- Combined cylinder and pump unit
- Capacity 10-113 ton
- Working pressure: 825 bar
- External thread for easy mounting
- Gauge can be attached on special part numbers
- 360° rotatable pump handle bracket with two shaft positions
- Operates in all directions thanks to the closed hydraulic system
- High capacity
- CE-marked



Information



Kompakt is a hydraulic powerpack that combines a number of unique features, such as lightweight, user friendly design and high capacity.

Dimensioned for safe-factor 3 against overloading and 4-fold security against breaks.

3-year material warranty and operation on piston and cylinder.

Functionality



Can be operated in all directions. 360° rotatable pump lever.

External thread for fixed mounting or mounting of accessories.

Closed hydraulic system, can even be used under water.

Exists as push jack, see datasheet: DS65786_EN

Usability



For intermittent use in service applications.

- Almost all industrial processes
- Mining Facilities
- Oil & Gas
- Welding
- Shipyards
- Industrial maintenance
- Wind power
- Lift/push/pull applications

REHOBOT Hydraulics AB

Postal address: P.O. Box 1107
631 80 Eskilstuna, Sweden
T: +46 (0)16-16 82 00 | F: +46 (0)16-13 93 16
E: info@rehobot.se | www.rehobot.se

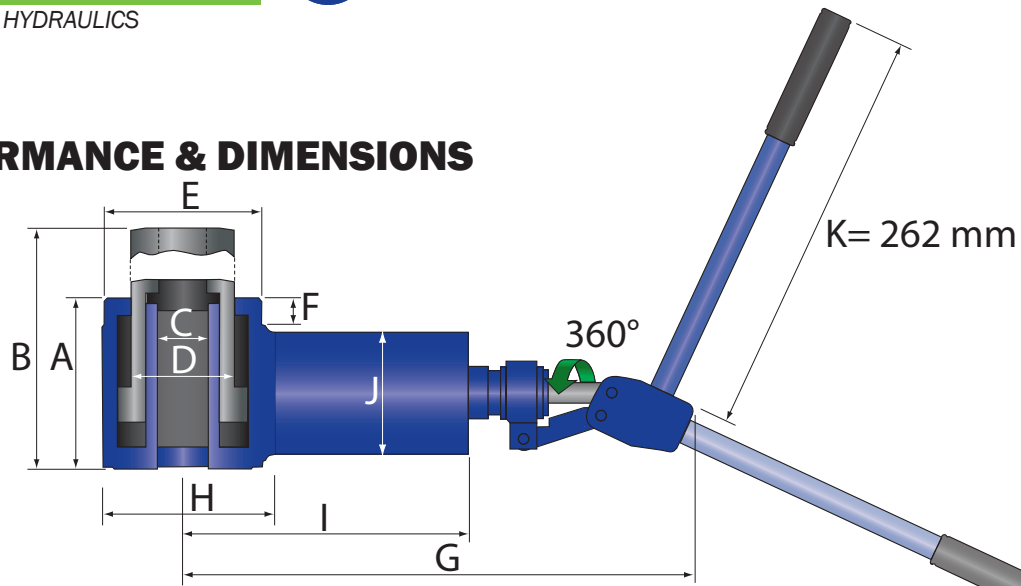
REHOBOT Ltd.

Unit 6, Stechford Trading Estate, Lyndon Road, Stechford
Birmingham B33 8BU, UK
T: +44 121 789 77 07 | F: +44 121 789 68 66
E: info@rehobot.co.uk | www.rehobot.co.uk

REHOBOT Inc.

Unit #1 3980 W. Albany St.
McHenry IL 600 50, USA
T: +1 815 385 77 77 | F: +1 815 385 77 76
E: info@rehobot.us | www.rehobot.us

PERFORMANCE & DIMENSIONS



Capacity* ton (kN)	Stroke mm	Part no.	Description	Area cm ²	A mm	B mm	C mm	D mm	E mm	F mm	G mm	H mm	I mm	J mm	Weight kg
10 (100)	30	52902	PHCH10-30 Ø16,5	13,47	73,5	104	16,5	40	-	-	230	70	127	60	3,6
	30	52903	PHCH10-30 Ø16,5 (2-steg)	13,47	73,5	104	16,5	40	-	-	230	70	127	60	3,6
	30	52904	PHCH10-30 Ø20,5	12,57	73,5	104	20,5	40	-	-	230	70	127	60	3,6
	30	52905	PHCH10-30 Ø20,5 (2-steg)	12,57	73,5	104	20,5	40	-	-	230	70	127	60	3,6
	30	52906	PHCH10-30 M16	13,47	84	115	M16	40	-	-	230	70	127	60	3,7
	30	52907	PHCH10-30 M16 (2-steg)	13,47	84	115	M16	40	-	-	230	70	127	60	3,7
	30	52908	PHCH10-30 M20	12,57	84	115	M20	40	-	-	230	70	127	60	3,7
	30	52909	PHCH10-30 M20 (2-steg)	12,57	84	115	M20	40	-	-	230	70	127	60	3,7
	50	52910	PHCH10-50 Ø20,5	12,57	101	150	20,5	40	M70x3	30	230	70	127	60	3,9
	50	52911	PHCH10-50 Ø20,5 (2-steg)	12,57	101	150	20,5	40	M70x3	30	230	70	127	60	3,9
	50	52912	PHCH10-50 M20	12,57	111	161	M20	40	M70x3	30	230	70	127	60	4
	50	52913	PHCH10-50 M20 (2-steg)	12,57	111	161	M20	40	M70x3	30	230	70	127	60	4
	75	52914	PHCH10-75 Ø20,5	12,57	133	205	20,5	40	M70x3	45	230	70	127	60	4,7
	75	52915	PHCH10-75 Ø20,5 (2-steg)	12,57	133	205	20,5	40	M70x3	45	230	70	127	60	4,7
75	52916	PHCH10-75 M20	12,57	143	215	M20	40	M70x3	45	230	70	127	60	4,8	
75	52917	PHCH10-75 M20 (2-steg)	12,57	143	215	M20	40	M70x3	45	230	70	127	60	4,8	
22,5 (225)	25	52918	PHCH22-25 Ø24,5	28,3	79,5	104	24,5	60	M90x3	14	244	98	141	60	5,5
	25	52919	PHCH22-25 Ø24,5 (2-steg)	28,3	79,5	104	24,5	60	M90x3	14	244	98	141	60	5,5
	25	52920	PHCH22-25 M24	28,3	109	134	M24	60	M90x3	14	244	98	141	60	5,8
	25	52921	PHCH22-25 M24 (2-steg)	28,3	109	134	M24	60	M90x3	14	244	98	141	60	5,8
22 (220)	75	52922	PHCH22-75 Ø30,5	28,27	130	205	30,5	60	M90x3	20	276	105	175	98	10
	75	52923	PHCH22-75 M30	28,27	173	247	M30	60	M90x3	20	276	105	175	98	11
43 (430)	55	52924	PHCH43-55 Ø40,5	54,79	130	185	40,5	80	M120x3	20	288	135	185	98	14
	55	52925	PHCH43-55 M39	54,79	177	232	M39	80	M120x3	20	288	135	185	98	14
113 (1130)	50	52926	PHCH113-50 Ø56	144,5	134	184	56	100	M200x4	25	305	202	202	98	37

* Calculated with 95% efficiency - 82,5 MPa (825 bar)

Load return on all models

INSTRUCTIONS ON MOUNTING

For gauge add "M" after the description example: PHCH10-30M

More information about gauge on request