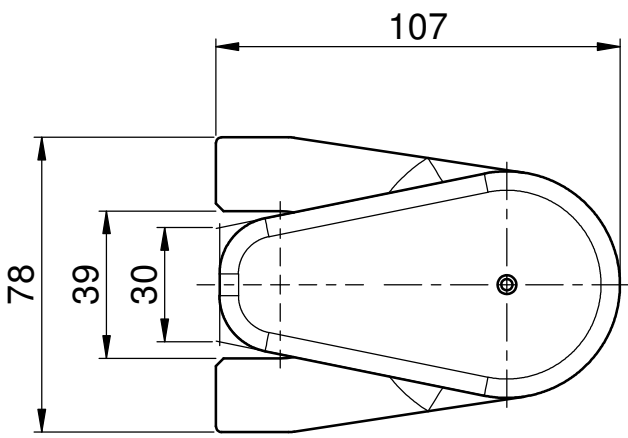
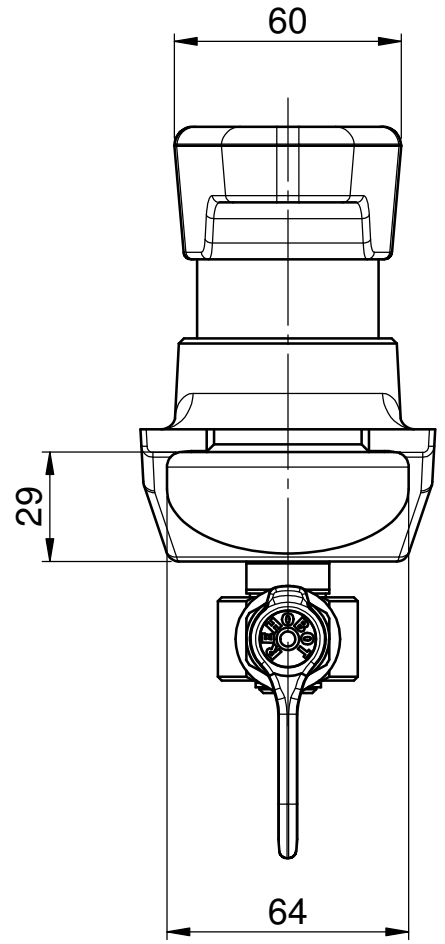
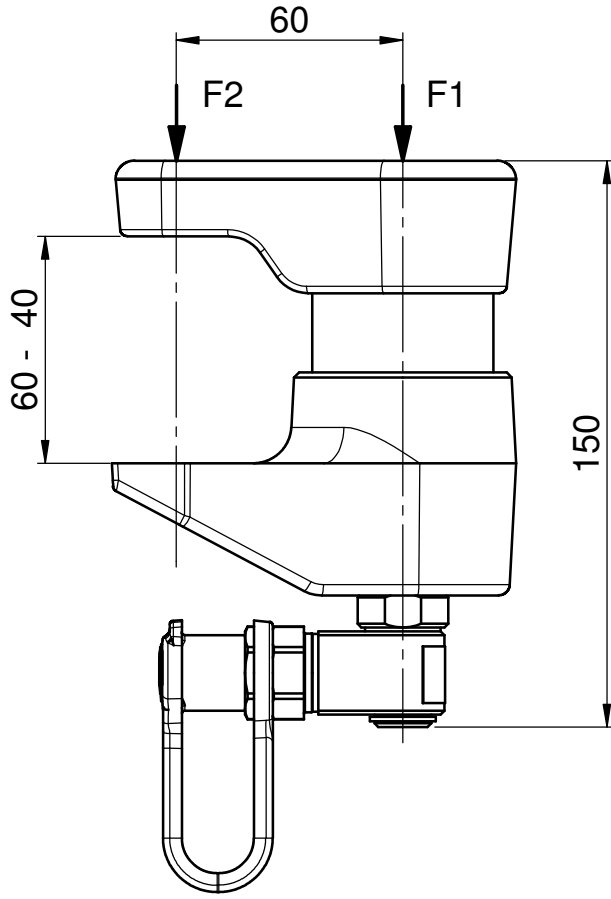


Issue	Change	Position	Date	Sign.
-------	--------	----------	------	-------



Capacity F1	57 kN
Capacity F2	33 kN
Max pressure	70 MPa
Stroke	20 mm
Working range	60 - 40 mm
Stroke volume	16 cm ³
Weight	2,7 kg

DENNA RITNING ÄR REHOBOT AB:s EGENDOM. SKYDDAD ENLIGT GÄLLANDE LAG.
 THIS DRAWING IS THE PROPERTY OF REHOBOT AB. PROTECTED BY PREVAILING LAW.

Material		Blank, dimension		Heat treatment		Surface treatment	
Permissible deviations for dimensions without indication of tolerances						Surface roughness unless specified	
Machined parts		Castings		Fuse welded constr.		Ra μm	
acc.SS-ISO-2768-1		acc.SS-ISO-8062		acc.SS-EN ISO 13920		✓	
Designed by	Drawn by	Date	Product				
VTA	CS1	2015-08-31	BE57-39 Styrledsavdragare				
Prod.appr.	Design appr.	Scale	BE57-39 Ball joint extractor				
2015-09-01	2015-09-01	1:2	Title				
REHOBOT®			Dimension drawing			Tol.system acc. ISO	
						Replaces D-44650	
						Replaced by	
						D-51088	

4

3

2

1