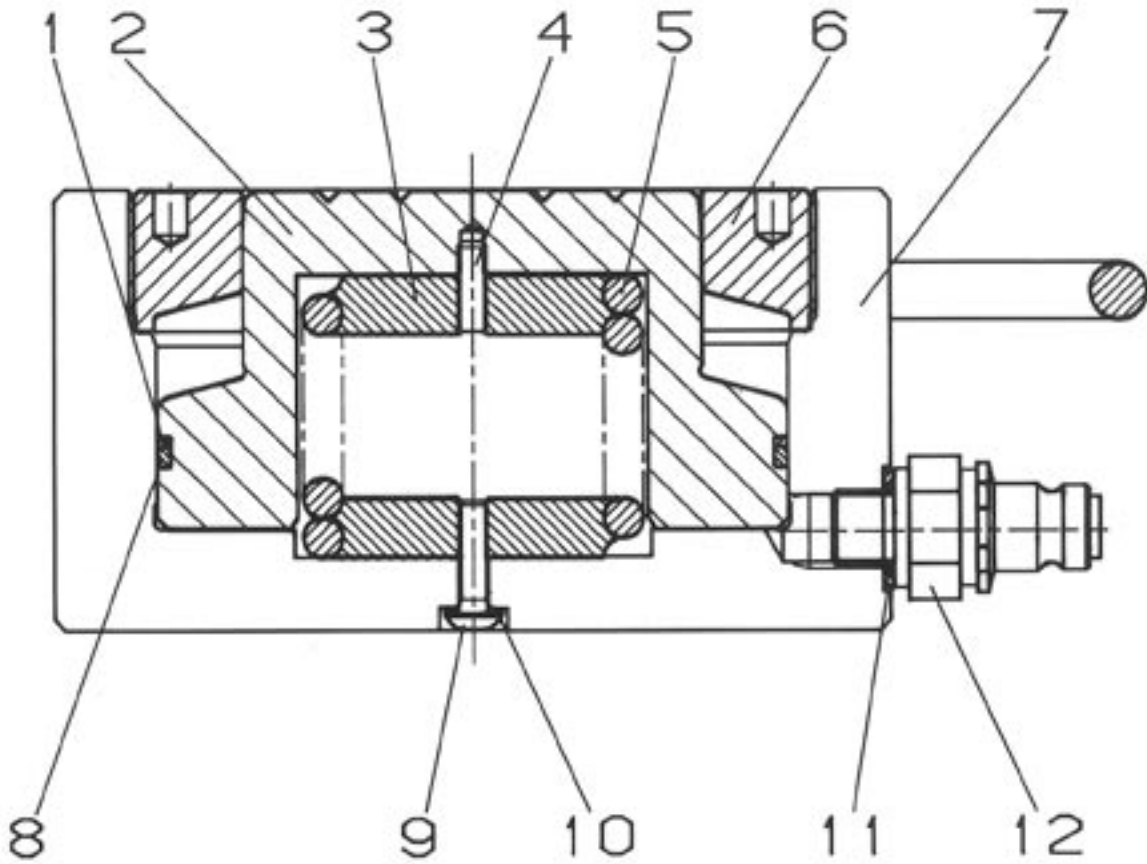


CLF670-15 CLF1100-15 CLF1500-15 CLF2000-16



CLF670-15 CLF1100-15 CLF1500-15 CLF2000-16

Pos.	QTY	Description	Part No.
1	1	Support ring	*
2	1	Piston, CLF670-15	35416
2	1	Piston, CLF1100-15	35167
2	1	Piston, CLF1500-15	35487
2	1	Piston, CLF2000-16	35492
3	1	Spring attachment, CLF670-15	35414
3	1	Spring attachment, CLF1100-15	35165
3	1	Spring attachment, CLF1500-15	35489
3	1	Spring attachment, CLF2000-16	35494
4	1	Screw, CLF670-15	35606
4	1	Screw, CLF1100-15	35607
4	1	Screw, CLF1500-15	35607
4	1	Screw, CLF2000-16	35607
5	1	Spring, CLF670-15	35583
5	1	Spring, CLF1100-15	35118
5	1	Spring, CLF1500-15	35584
5	1	Spring, CLF200-16	35585
6	1	Bushing, CLF670-15	15415
6	1	Bushing, CLF1100-15	24715
6	1	Bushing, CLF1500-15	35488
6	1	Bushing, CLF200-16	35493
7	1	Cylinder, CLF670-15	35417
7	1	Cylinder, CLF1100-15	35162
7	1	Cylinder, CLF1500-15	35486
7	1	Cylinder, CLF2000-16	35491
8	1	O-ring	*
9	1	Screw, CLF670-15	35601
9	1	Screw, CLF1100-15	35602
9	1	Screw, CLF1500-15	35602
9	1	Screw, CLF2000-16	35602
10	1	Packing	*
11	1	Packing	*
12	1	Quick coupling	45952
		Seal kit, CLF670-15	35778
		Seal kit, CLF1100-15	35779
		Seal kit, CLF1500-15	35780
		Seal kit, CLF2000-16	35781

* Included in Seal kit