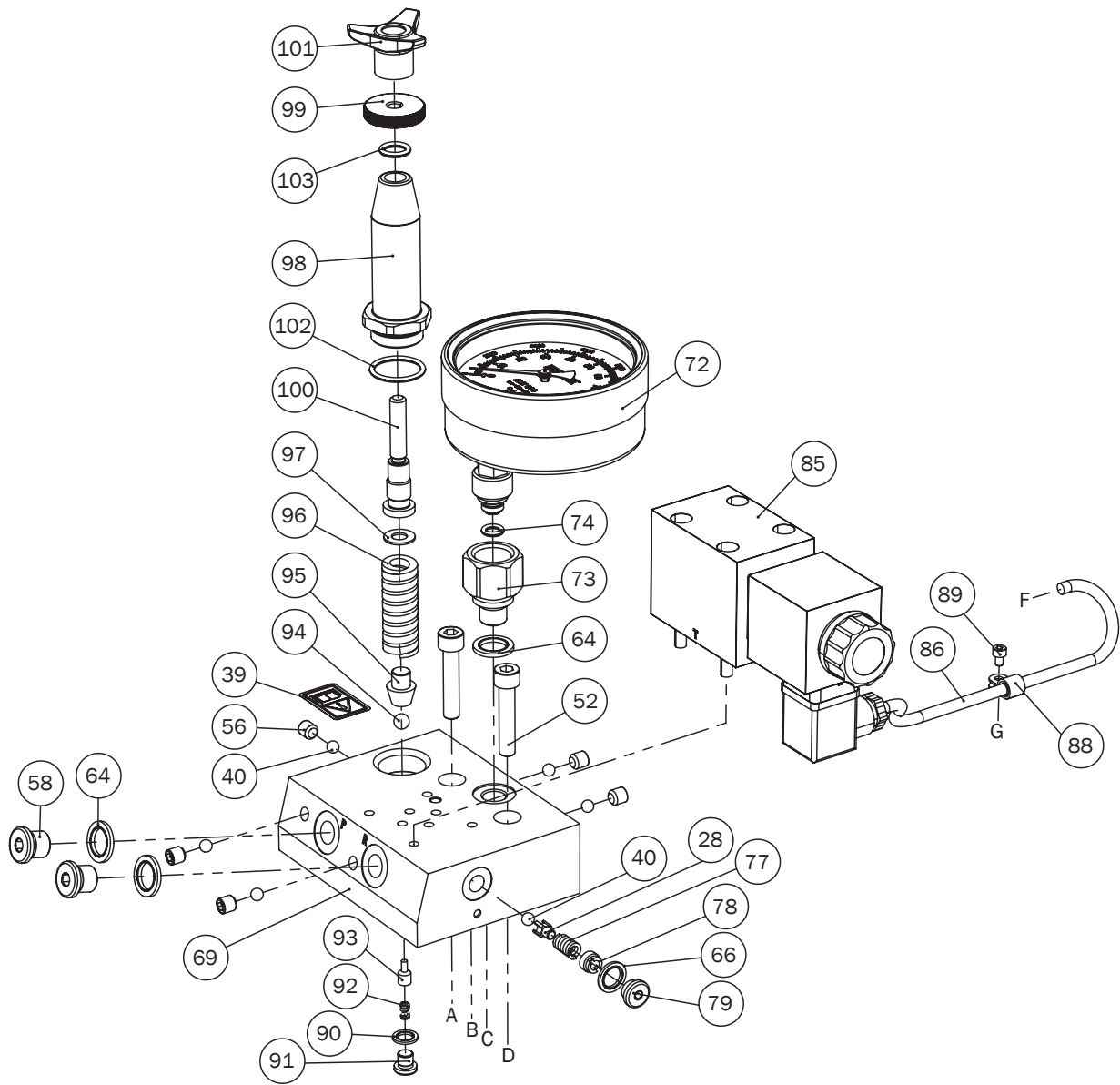


Subject to change without prior notice!

Document number: 65772

Eskilstuna 2023-06-19 DF



Subject to change without prior notice!

Document number: 65772

Eskilstuna 2023-06-19 DF

PME70-2500MRV/VR70 I PME70-2500MRV/CEE1 I PME51835			Lagerförd Kept in stock Lagergeführt Tenu en stock	Ej lagerförd Not kept in stock Nicht lagergeführt Ne tenu en stock **
Ref. No	Qty	Description	Part No	Part No
1	1	PME025/70 (0,25kW/230V/50Hz)	51809	
1	1	PME055/70 (0,55kW/230V/50Hz)	52298	
2	1	Motor plate B14/B34	51804	
3	1	Pump housing	51808	
4	2	O-ring 5.3 x 2.4	*	17741
5	1	End plate, motor side	52141	
6	1	End plate with foot	52139	
7	1	Oil container -2500	51815	
7	1	Oil container -5000	52299	
8	1	PME025/70 - Piston Pump 5	46228	
8	1	PME055/70 - Piston Pump 7	46229	
9	1	PME025/70 - Gear pump 1.30	50924	
9	1	PME055/70 - Gear pump 1.60	52531	
10	1	Plug-in connection 90°	50587	
11	0.03m	Pipe	50588	
12	1	Strainer	17618	
13	1	O-ring 89.5 x 3	*	4185
14	1	O-ring 2.57 x 1.78 90	*	19458
15	1	PME025/70 - Pump axel Ø11	51807	
15	1	PME055/70 - Pump axel Ø14	52297	
16	1	PME025/70 - Ball bearing 61905	46231	
16	2	PME055/70 - Ball bearing 61905	46231	
17	1	Ball bearing 6003	46230	
18	1	Ball bearing 61901	51813	
19	2	Cirelip SGH 42	46233	
20	1	Cirelip SGH 17	13899	
21	1	Cirelip SGA 12	33195	
22	1	Support ring 2.7 x 5.5 x 1 Pe A	*	28529
23	2	Packing	*	51838
24	1	Packing 25 x 42 x 6/6.5	*	51814
25	2	Label REHOBOT	*	35581
26	1	Cage PME -2500	52303	
26	1	Cage PME -5000	52509	
27	1	Safety valve 70 MPa	44388	
28	3	Ball guide	49255	
29	2	Ball seat 6.5	46225	
30	1	Switch piston	46222	
31	1	Pendant control TW	52498	
32	2	Cable gland with bend protection	51833	
33	3	Ring cable lug, red 4.3 mm	52186	
34	1	Flat pin terminal, red 6.3 x 0.8 mm	52183	
35	1	Flat pin, red 6.3 x 0.8 mm	52184	
36	2	Fork cable lug, red 4.3 mm	52185	
37	1	CEE 7/7 plug with cable 2 m	38161242	

			Lagerförd Kept in stock Lagergeführt Tenu en stock	Ej lagerförd Not kept in stock Nicht lagergeführt Ne tenu en stock **
Ref. No	Qty	Description	Part No	Part No
39	1	Label, Read Instruction	*	42461
40	10	Ball 6.35 1/4"	01050060	
42	4	Rubber foot	46235	
43	2	Spring	38115100	
44	1	Spring	22877	
47	1	PME025/70 - Support Ring 60 x 70 x 2 Pe	20289	
48	6	Screw MC6S M6x 30 12.9	47050	
49	6	Screw K6S M6x 12	44985	
50	4	PME025/70 - Screw K6S M5x 16	49659	
50	4	PME055/70 - Screw K6S M6x 30	40212	
51	2	Screw MC6S M5x 65	50291	
52	2	Screw MC6S M8x 40	01001650	
53	12	Screw MC6S M6x 16	01001440	
54	1	Plug M10x1	46239	
55	1	Plug M10x1 DIN908	14057	
56	7	Screw P6SS M8x 8	43336	
57	2	PME025/70 Foot plate	52547	
58	2	Plug G1/4 DIN908	16536	
59	2	Screw K6S M6x 30	40212	
60	1	Vented plug	46244	
61	1	Level glas	43626	
62	4	Nut M6 DIN985	44253	
63	6	Washer	01017590	
64	3	Packing	*	17009
65	1	Packing	*	16217
66	3	Packing	*	14185
67	10	Packing	*	14911
68	2	O-ring 4.3 x 2.4 90	*	46243
69	1	TW Valve House	52491	
72	1	AMT803 Ø100 Gauge cl. 1	52179	
73	1	AAM22 Gauge Adapter	52497	
74	1	O-ring 7.3 x 2.4 90	*	01041940
77	1	Spring	17924	
78	1	Set Screw	14143	
79	1	Plug M10x1	42225	
85	1	Solenoid Valve 4/2	52496	
86	0,4 m	Cable	52466	
87	2	Cable gland	52464	
88	1	Cable clips	52465	
89	1	Screw M4x6	43652	
90	1	Packing	14184	
91	1	Plug M8x1	15426	
92	1	Spring	27147	

			Lagerförd Kept in stock Lagergeführt Tenu en stock	Ej lagerförd Not kept in stock Nicht lagergeführt Ne tenu en stock **
Ref. No	Qty	Description	Part No	Part No
93	1	Damper	26914	
94	1	Ball 7,938 5/16"	3740	
95	1	Valve needle	19615	
96	1	Spring	19701	
97	1	Washer	24998	
98	1	Spring house	52492	
99	1	Locking ring M8	52495	
100	1	Valve spindle	52493	
101	1	Knob M8	52494	
102	1	O-ring 23,3 x 2,4	*	52631
103	1	O-ring 10,78 x 2,62	*	26915
		Seal kit	52389	
* Included in seal kit.				
** Special order, request an offer.				