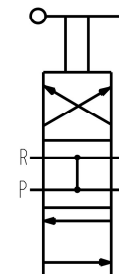
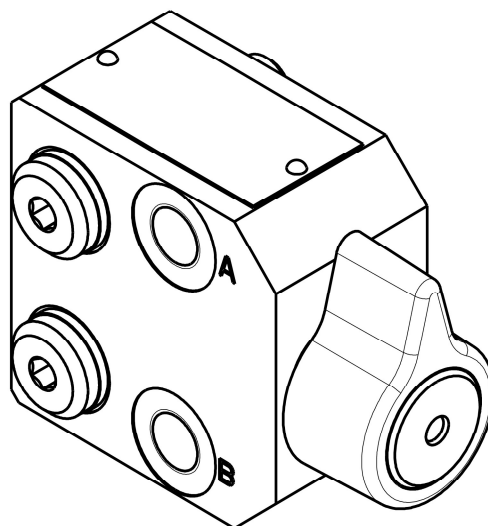
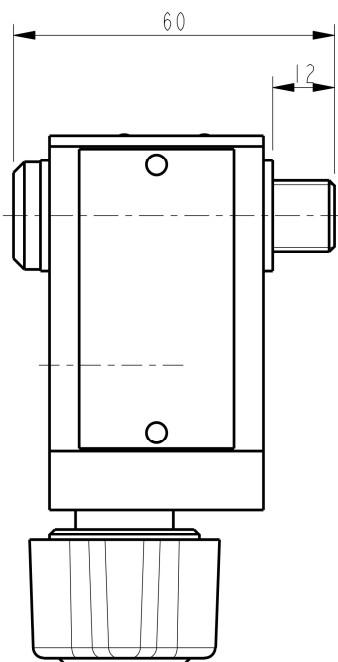
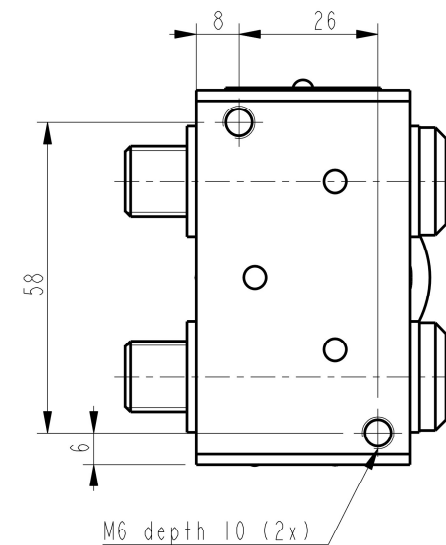
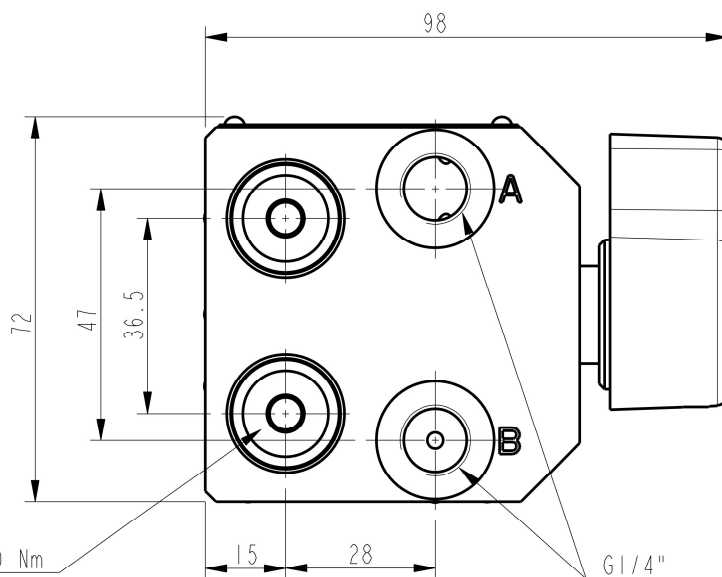


S=6 Torque 40-60 Nm



Max pressure	80 MPa
Weight	0,8 kg

DENNA RITNING ÄR REHOBOT AB'S EGENDOM. SKYDDAD ENLIGT GÄLLANDE LAG. THIS DRAWING IS THE PROPERTY OF REHOBOT AB. PROTECTED BY PREVAILING LAW.

Material	Blank, dimension	Heat treatment	Surface treatment
Permissible deviations for dimensions without indication of tolerances		Surface roughness unless specified	
Machined parts	Castings	Fuse welded constr.	✓ Ra μm
acc. SS-ISO-2768-1		acc. SS-ISO-8062	acc. SS-EN ISO 13920
Designed by	Drawn by	Date	Product
VTA	VTA	14-Jun-17	VR42 REGULATING VALVE
Prod. appr.	Design appr.	Scale	Title
HB	AN	1:1	DIMENSION DRAWING
2002-02-08	2002-02-09		
			Tol. system acc. ISO
			Replaces
			Replaced by
			C-445,00
			C-45158

Issue	Change	Position	Date	Sign.
-------	--------	----------	------	-------

8

7

6

5

4

3

2

1