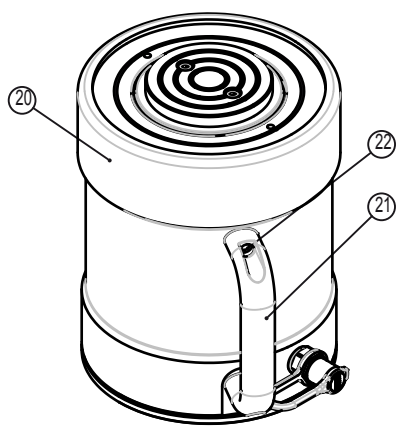
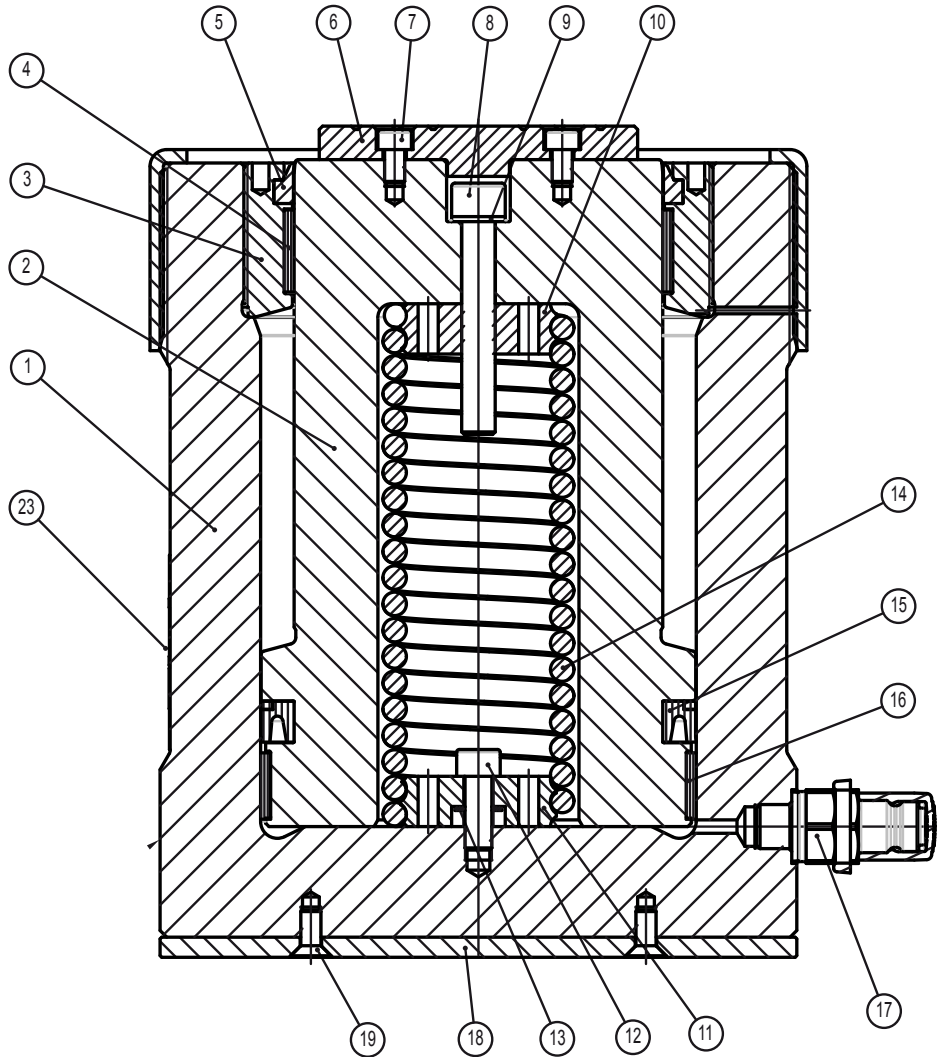


CFA250-100 | CFA250-200 | CFA500-100 |  
CFA500-200 | CFA750-100 | CFA750-200 |  
CFA1000-100 | CFA1000-200 |

CFA250-100P | CFA250-200P | CFA500-100P |  
CFA500-200P | CFA750-100P | CFA750-200P |  
CFA1000-100P | CFA1000-200P |



Subject to change without prior notice!

Document number: 65481 Rev.1.1

Eskilstuna 2017-03-06 GB

<b>CFA250-100, CFA250-200, CFA500-100, CFA500-200</b> <b>CFA750-100, CFA750-200, CFA1000-100, CFA1000-200</b>
<b>CFA250-100P, CFA250-200P, CFA500-100P, CFA500-200P</b> <b>CFA750-100P, CFA750-200P, CFA1000-100P, CFA1000-200P</b>

Pos.	QTY	Description	Part No.
1	1	Cylinder CFA250-100	48971
1	1	Cylinder CFA250-200	48972
1	1	Cylinder CFA500-100	47154
1	1	Cylinder CFA500-200	47161
1	1	Cylinder CFA750-100	47187
1	1	Cylinder CFA750-200	47188
1	1	Cylinder CFA1000-100	47164
1	1	Cylinder CFA1000-200	47172
2	1	Piston CFA250-100	48975
2	1	Piston CFA250-200	48976
2	1	Piston CFA500-100	47155
2	1	Piston CFA500-200	47162
2	1	Piston CFA750-100	47189
2	1	Piston CFA750-200	47190
2	1	Piston CFA1000-100	47165
2	1	Piston CFA1000-200	47173
3	1	Bushing CFA250-	48973
3	1	Bushing CFA500-	47156
3	1	Bushing CFA750-	47191
3	1	Bushing CFA1000-	47166
4	1	Guide ring CFA250-	*
4	1	Guide ring CFA500-	*
4	1	Guide ring CFA750-	*
4	1	Guide ring CFA1000-	*
5	1	Wiper CFA250-	*
5	1	Wiper CFA500-	*
5	1	Wiper CFA750-	*
5	1	Wiper CFA1000-	*
6	1	Press head CFA250-	48979
6	1	Press head CFA500-	38287010
6	1	Press head CFA750-	38287010
6	1	Press head CFA1000-	38287340
7	2	Screw	01001400
8	1	Screw CFA250-	01001640
8	1	Screw CFA500-	01001650
8	1	Screw CFA750-	01001810
8	1	Screw CFA1000-	01001810
9	1	Washer CFA250-	*
9	1	Washer CFA500-	*
9	1	Washer CFA750-	*
9	1	Washer CFA1000-	*

Pos.	QTY	Description	Part No.
10	1	Spring attachment CFA250-	399,84
10	1	Spring attachment CFA500-	35728
10	1	Spring attachment CFA750-	420,12
10	1	Spring attachment CFA1000-	420,12
11	1	Spring attachment CFA250-	399,84
11	1	Spring attachment CFA500-	35727
11	1	Spring attachment CFA750-	420,13
11	1	Spring attachment CFA1000-	420,13
12	1	Screw CFA250-	01001480
12	1	Screw CFA500-	15972
12	1	Screw CFA750-	01001630
12	1	Screw CFA1000-	01001630
13	1	Washer CFA250-	*
13	1	Washer CFA500-	*
13	1	Washer CFA750-	*
13	1	Washer CFA1000-	*
14	1	Spring CFA250-100	399,88
14	1	Spring CFA250-200	399,90
14	1	Spring CFA500-100	35719
14	1	Spring CFA500-200	35720
14	1	Spring CFA750-100	420,10
14	1	Spring CFA750-200	420,11
14	1	Spring CFA1000-100	420,10
14	1	Spring CFA1000-200	420,11
15	1	Packing CFA250-	*
15	1	Packing CFA500-	*
15	1	Packing CFA750-	*
15	1	Packing CFA1000-	*
16	1	Guide ring CFA250-	*
16	1	Guide ring CFA500-	*
16	1	Guide ring CFA750-	*
16	1	Guide ring CFA1000-	*
17	1	AQU8, Quick coupling	45952
17	1	AQI24, Quick coupling (P)	40386
18	1	Support plate CFA250-	48977
18	1	Support plate CFA500-	47174
18	1	Support plate CFA750-	47195
18	1	Support plate CFA1000-	47175
19	2	Screw	396,34
20	1	Cover CFA250-	17264
20	1	Cover CFA500-	47176
20	1	Cover CFA750-	47194
20	1	Cover CFA1000-	47177
21	1	Handle	437,66
22	2	Screw	15972
		Seal kit CFA250-	49689
		Seal kit CFA500-	47178
		Seal kit CFA750-	49690
		Seal kit CFA1000-	47179

\* Included in Seal kit