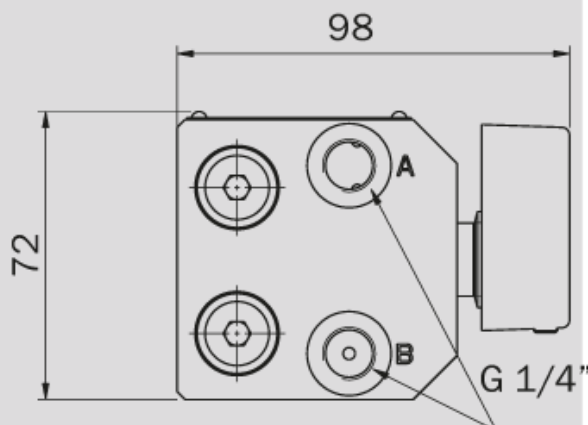
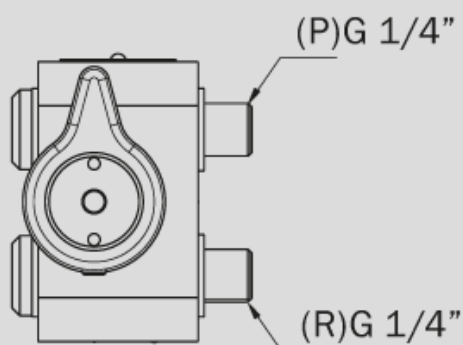
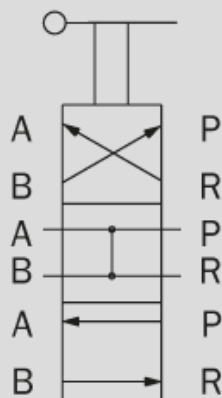


# VR - DIRECTIONAL VALVES

<b>Name</b>	<b>VR42</b>
<b>Max pressure MPa/bar</b>	<b>80/800</b>
<b>Hold function</b>	<b>-</b>



**VR42**





**Note!** Please observe that seals are not included. For thread G 1/4" we recommend seal with part number 17009.